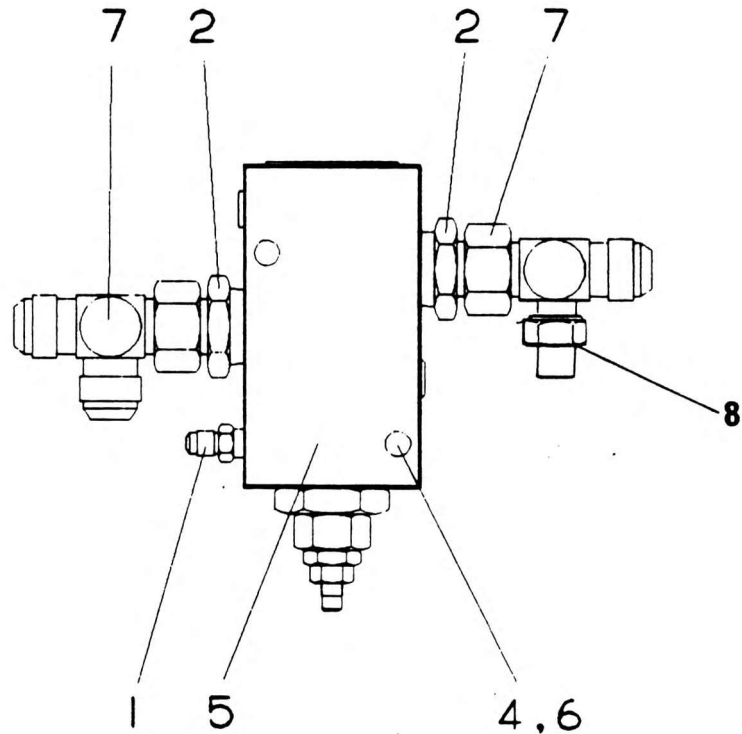


VALVE ASSEMBLY - OUTRIGGER SEQUENCE



NO.	PART NO.	QTY.	DESCRIPTION	NO.	PART NO.	QTY.	DESCRIPTION
1	7-447-040428	1	Adaptor $\frac{1}{2}$ "x $\frac{1}{2}$ " NPTF				
2	7-447-121228	2	Adaptor 1 1/16"				
3	7-447-121224	2	Nut				
4	7-661-190003	2	Hex Nut M10				
5 +	7-926-000797	1	Sequence Valve				
6	7-951-190210	2	Washer Spring Dia. 10				
7	7-447-121234	2	Swivel Run Tee				
8	7-447-120813	2	Reducing Adaptor $\frac{1}{2}$ " ORFS x $\frac{1}{2}$ " ORFS				

+ See further breakdown in this group